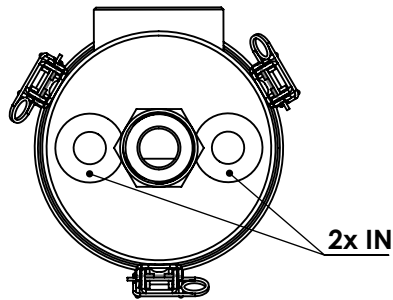
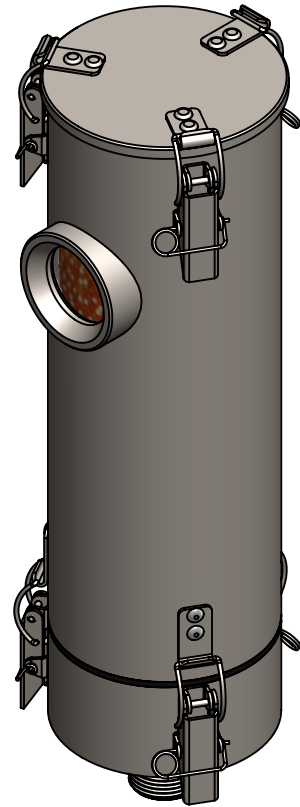
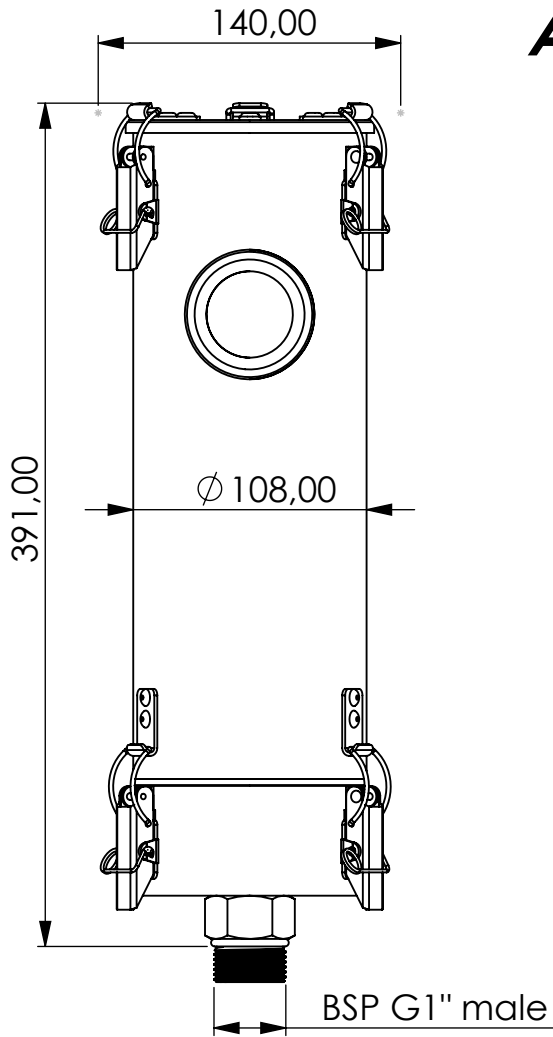


Adsorber ME-RV series



Product Code	ME	-	RV	-	3L	-	E	-	20	-	P3	-	XC	-	G1m
	Adsorber type		Refillable cartridge + valves		Size		EPDM seals		Check valves 2 IN 0 OUT		Paper filter 3 micron		Adsorbent GIEBEL Xdry® & carbon		Connection for System BSP G1" male

Housing materials:	Stainless steel 316L		
GIEBEL Xdry® (kg):	1,4	Color-change capacity (ml):	490
Total weight (kg):	5.9		

NAME:
Adsorber ME-RV 3L IN EPDM G1"m
ME-RV_3L_E_20_P3_XC_G1m

 GIEBEL Adsorber® ...setting standards in aeration drying!	rev.	Date	Name
		15.05.2023	Daniel Zinic
GIEBEL FilTec GmbH www.giebel-adsorber.com info@gf-dry.com			

Article no.:	Status freigabe	Format
07.0001.69	Maßstab	Blatt / von
	1:3.5	1 / 1