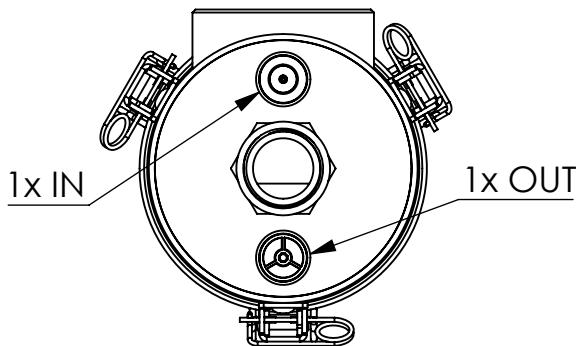
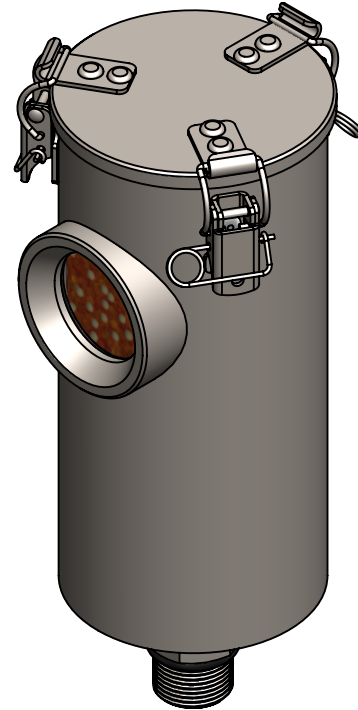
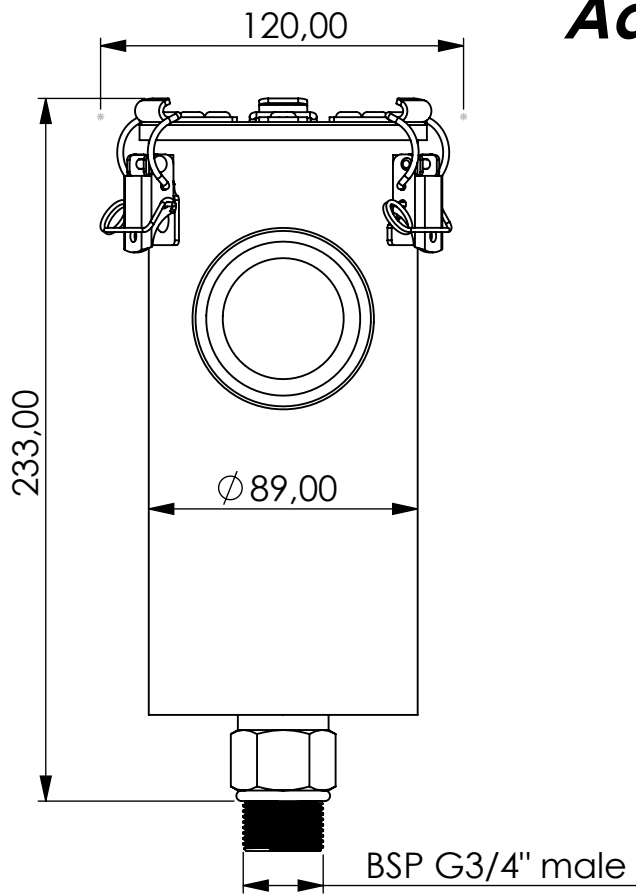


Adsorber ME-RV series



Product Code	ME	-	RV	-	2L	-	F	-	11	-	P3	-	XC	-	G34m
	Adsorber type		Refillable cartridge + valves		Size		FKM seals		Check valves 1 IN 1 OUT		Paper filter 3 micron		Adsorbent GIEBEL Xdry® & carbon		Connection for System BSP G3/4" male

Housing materials:	Stainless steel 316L	
GIEBEL Xdry® (kg):	0.55	Color-change capacity (ml): 193
Total weight (kg):	3.12	

NAME:		
Adsorber ME-RV 2L G3/4"m		
ME-RV_2L_F_11_P3_XC_G34m		
Article no.:	Status freigabe	Format A4
07.0001.70	Maßstab	Blatt / von
	1:2.5	1 / 1

	Date	Name
rev.	12.05.2023	Daniel Zinic
 GIEBEL Adsorber® ...setting standards in aeration drying!		
GIEBEL FilTec GmbH www.giebel-adsorber.de info@giebel-adsorber.de		