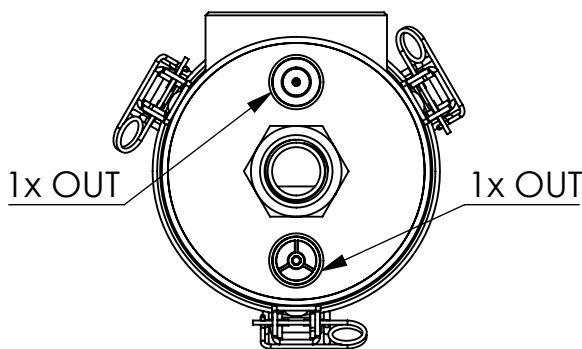
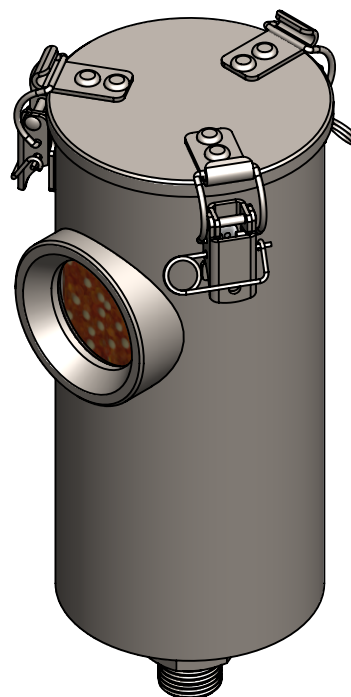
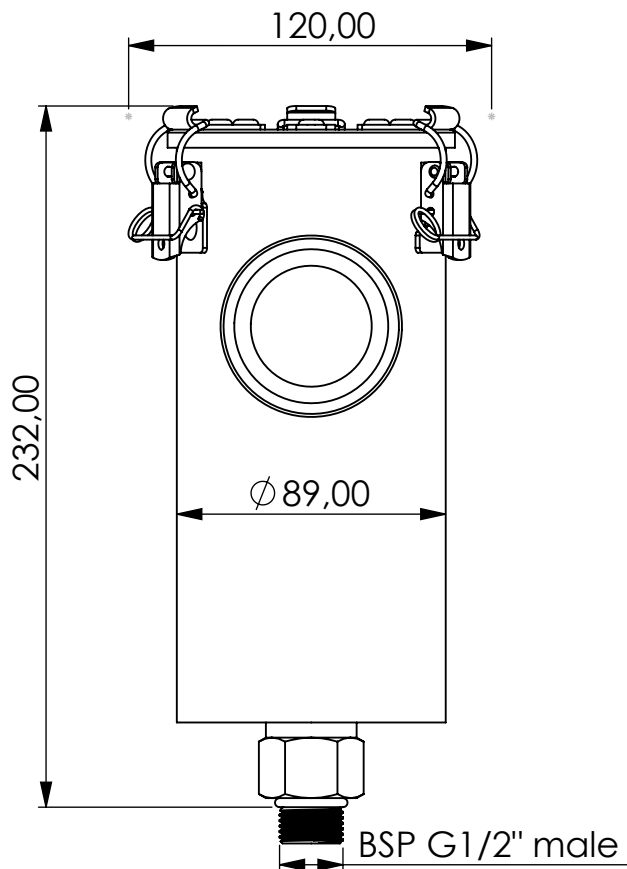


Adsorber ME-RV series



Product Code	ME	-	RV	-	2L	-	F	-	11	-	P3	-	XC	-	G12m
	Adsorber type		Refillable cartridge + valves		Size		FKM seals		Check valves 1 IN 1 OUT		Paper filter 3 micron		Adsorbent GIEBEL Xdry® & carbon		Connection for System BSP G1/2" male

Housing materials: Stainless steel 316L

GIEBEL Xdry® (kg): 0.55 Color-change capacity (ml): 193

Total weight (kg): 3.14

NAME:

Adsorber ME-RV 2L G1/2"m
ME-RV_2L_F_11_P3_XC_G12m

Article no.:
07.0001.72

Status approved	Format A4
Ratio 1:2.5	Sheet / of 1 / 1

	Date	Name
rev.	15.05.2023	Daniel Zinic

GIEBEL FilTec GmbH
www.giebel-adsorber.com
info@gf-dry.com



GIEBEL Adsorber®
...setting standards in aeration drying!