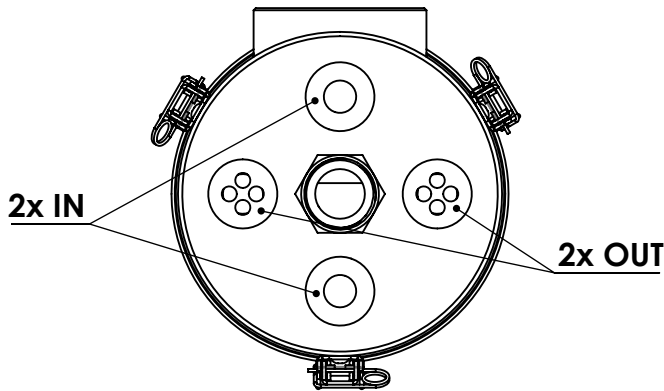
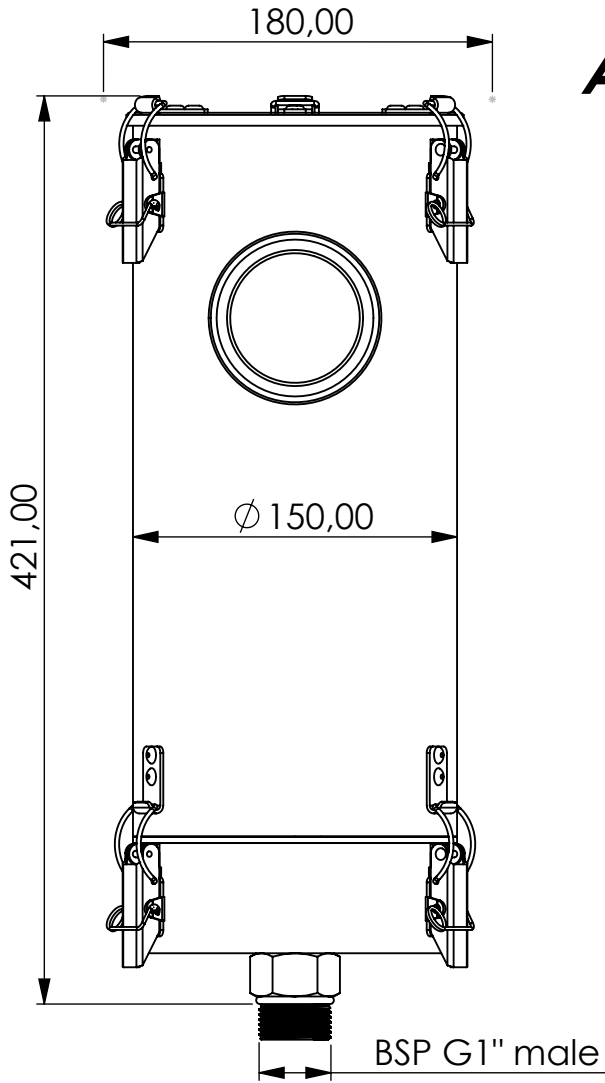


Adsorber ME-RV series



| | | | | | | | | | | | | | | | |
|--------------|---------------|---|-------------------------------|---|-----------|---|------------|---|-------------------------|---|-----------------------|---|---------------------------------|---|------------------------------------|
| Product Code | ME | - | RV | - | 5L | - | E | - | 22 | - | P3 | - | XC | - | G1m |
| | Adsorber type | | Refillable cartridge + valves | | Size | | EPDM seals | | Check valves 2 IN 2 OUT | | Paper filter 3 micron | | Adsorbent GIEBEL Xdry® & carbon | | Connection for System BSP G1" male |

| | | |
|--------------------|----------------------|----------------------------------|
| Housing materials: | Stainless steel 316L | |
| GIEBEL Xdry® (kg): | 3.4 | Color-change capacity (ml): 1190 |
| Total weight (kg): | 10.7 | |

NAME:
Adsorber ME-RV 5L EPDM G1"m
ME-RV_5L_E_22_P3_XC_G1m



GIEBEL Adsorber®
 ...setting standards in aeration drying!

GIEBEL FilTec GmbH
www.giebel-adsorber.com
info@gf-dry.com

Article no.:
08.0002.50

| | |
|-----------------|-------------------|
| Status freigabe | Format A4 |
| Maßstab 1:3.5 | Blatt / von 1 / 1 |