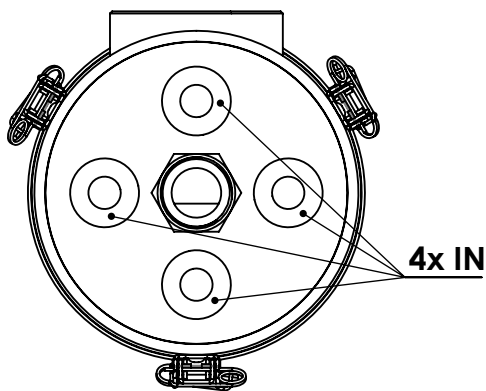
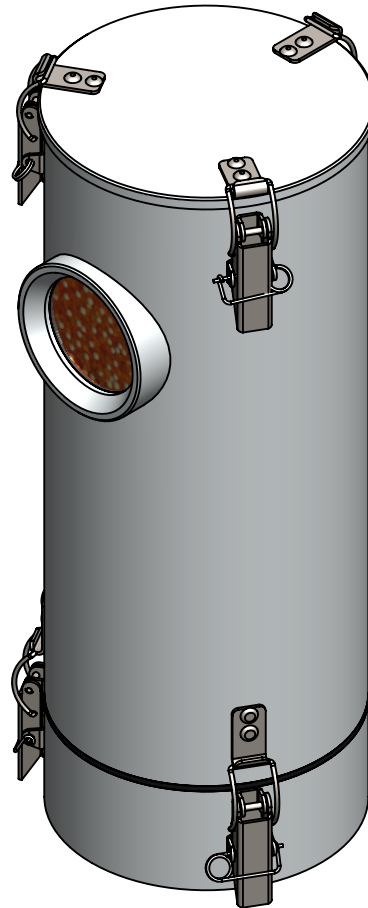
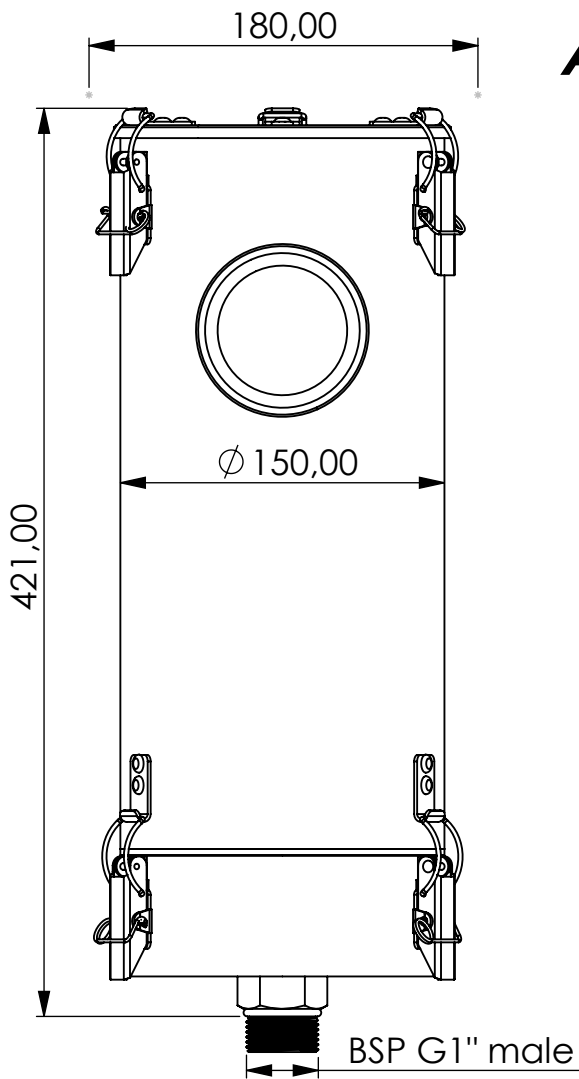


# Adsorber MA-RV series



Product Code	<b>MA</b>	-	<b>RV</b>	-	<b>5L</b>	-	<b>E</b>	-	<b>40</b>	-	<b>P3</b>	-	<b>XC</b>	-	<b>G1m</b>
	Adsorber type		Refillable cartridge + valves		Size		EPDM seals		Check valves 4 IN 0 OUT		Paper filter 3 micron		Adsorbent GIEBEL Xdry® & carbon		Connection for System BSP G1" male

Housing materials:	Aluminium	
GIEBEL Xdry® (kg):	3,3	Color-change capacity (ml): 1155
Total weight (kg):	6.80	

NAME:  
**Adsorber MA-RV 5L EPDM IN G1"m**  
**MA-RV\_5L\_E\_40\_P3\_XC\_G1m**



**GIEBEL Adsorber®**  
 ...setting standards in aeration drying!

GIEBEL FilTec GmbH  
 www.giebel-adsorber.de  
 info@giebel-adsorber.de

Article no.:  
**08.0003.14**

Status freigabe	Format A4
Maßstab 1:3.5	Blatt / von 1 / 1