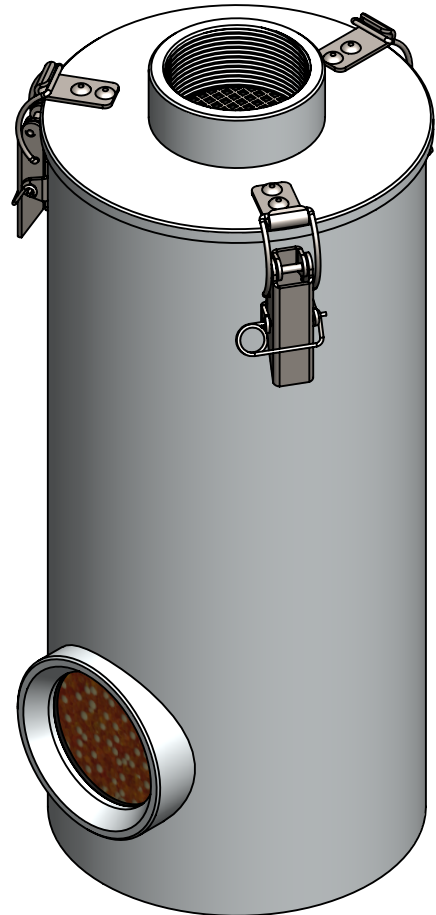
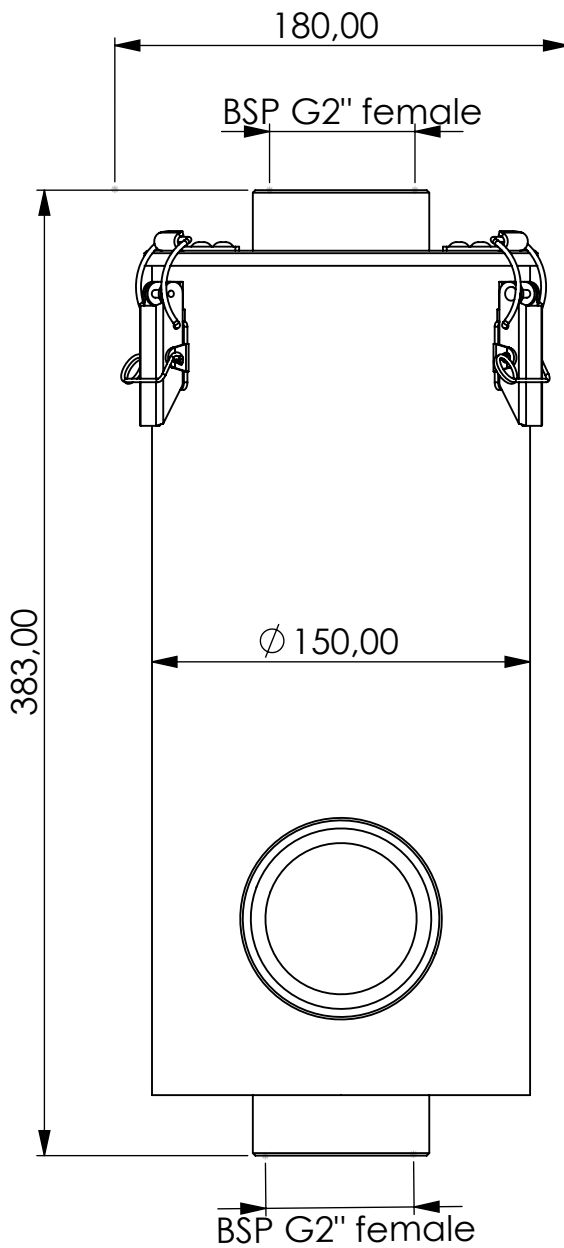


Adsorber VM-R series



Product Code	VM	-	R	-	5L	-	F	-	V2	-	X	-	G2f	-	G2f
	Adsorber type		Refillable cartridge		Size		FKM seals		Fleece filter 2 micron		Adsorbent GIEBEL Xdry®		Connection for System BSP G2" female		Connection for System BSP G2" female

Housing materials:	AL
GIEBEL Xdry® (kg):	4.0
Color-change capacity (ml):	1400
Total weight (kg):	6.4

NAME:	
Adsorber VM-R 5L G2" f	
VM-R_5L_F_V2_X_G2f_G2f	
Article no.:	Status approved
12.0000.77	Format A4
	Ratio 1:3
	Sheet / of 1 / 1

	Date	Name
rev.	30.05.2023	Daniel Zinic
 GIEBEL Adsorber® ...setting standards in aeration drying!		
GIEBEL FilTec GmbH www.giebel-adsorber.com info@gf-dry.com		