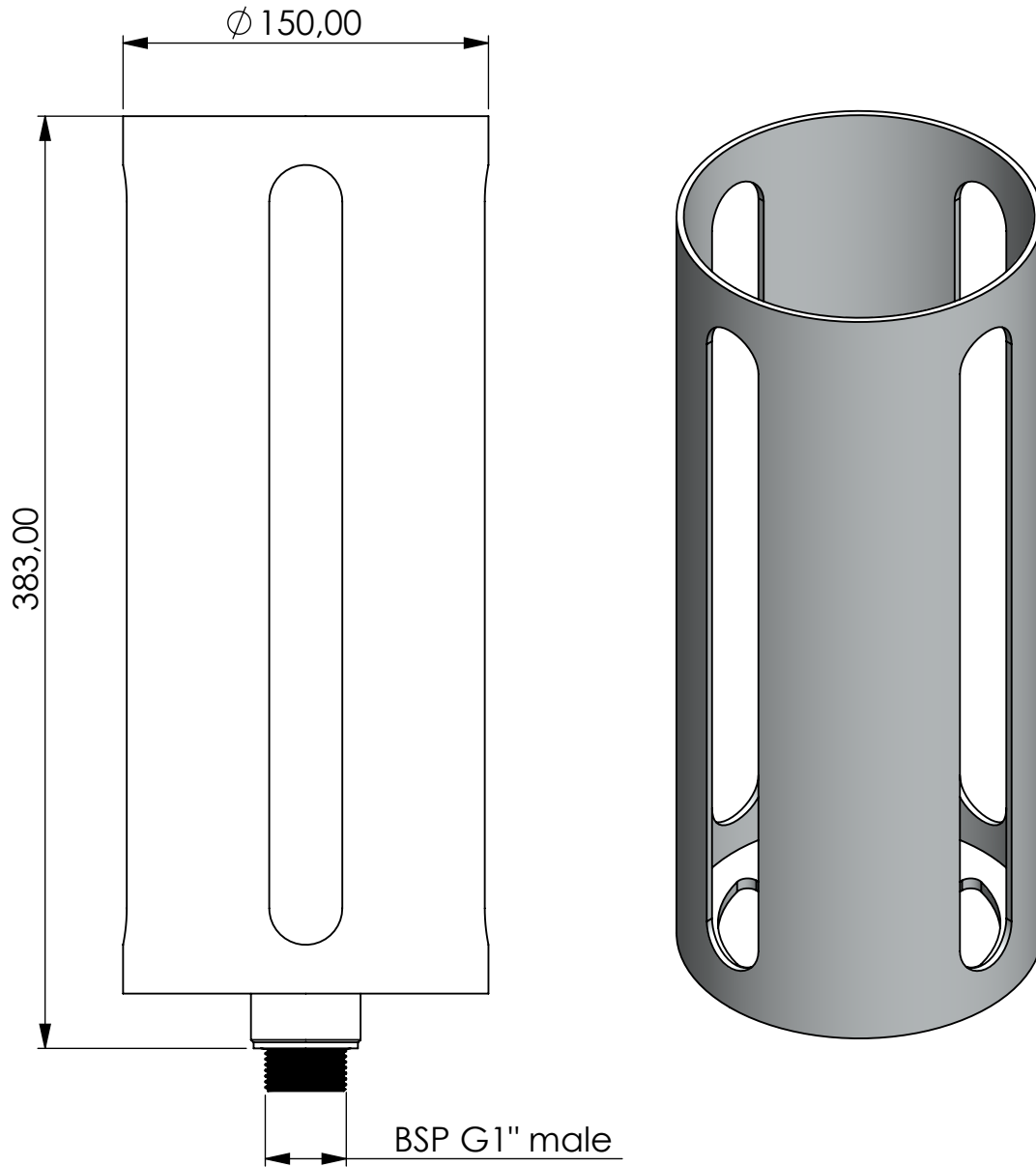


Adsorber Protection Hood



Product Code	APH	-	3	-	AL	-	F	-	G1m
	Adsorber Protection Hood		Size for Adsorber Series		Material aluminum		FKM seals		Connection for System BSP G1" male

Total weight (kg): 1.45

NAME:

Adsorber Protection Hood

APH_3_AL_F_G1m

Article no.:	Status approved	Format A4
03.0070.03	Ratio 1:3	Sheet / of 1 / 1

	Date	Name
rev.	13.03.2023	Daniel Zinic

GIEBEL FilTec GmbH
www.giebel-adsorber.de
info@giebel-adsorber.de



GIEBEL Adsorber®
 ...setting standards in aeration drying!