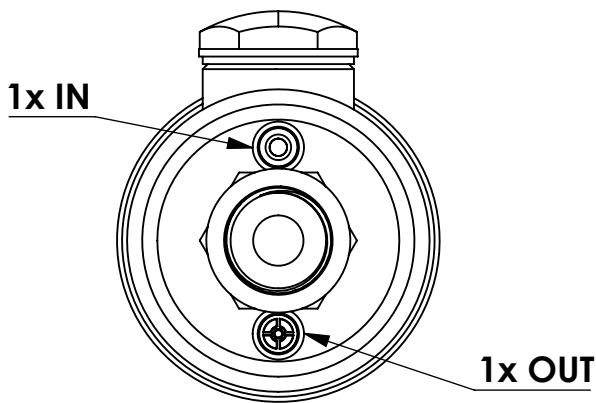
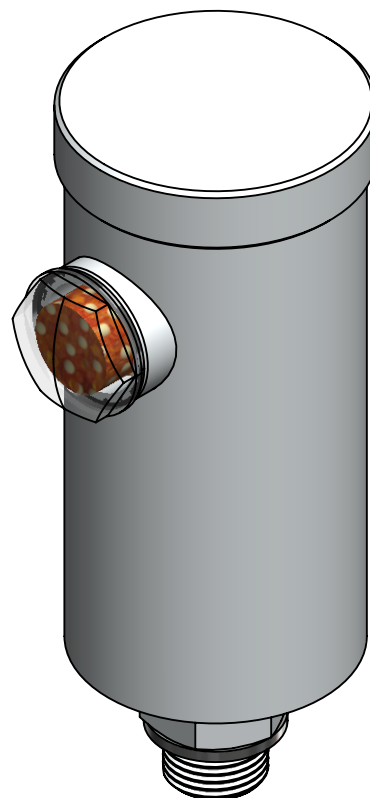
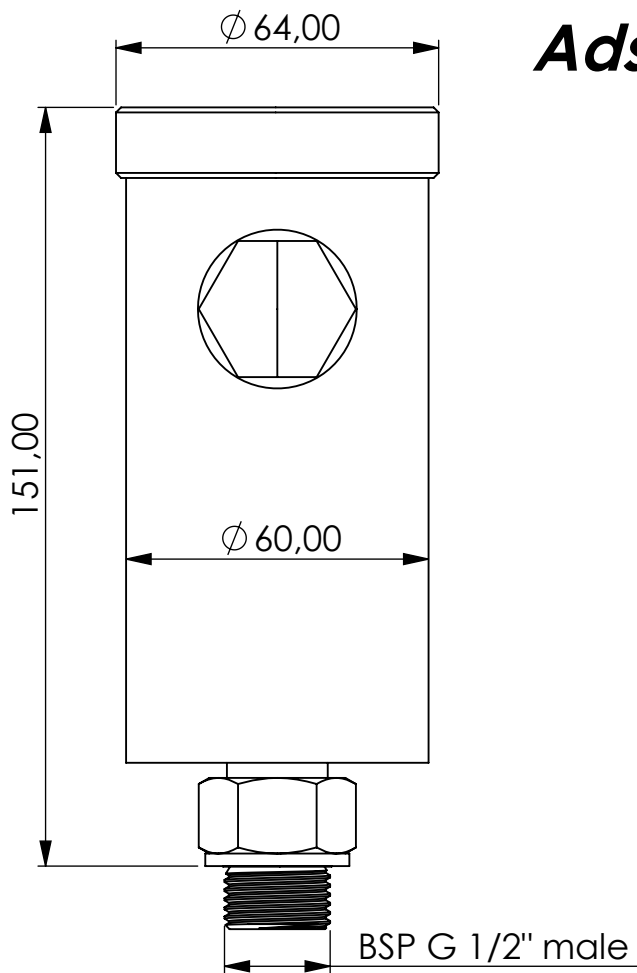


Adsorber MA-RV series



Product Code	MA	-	RV	-	1L	-	F	-	11	-	V2	-	XC	-	G12m
	Adsorber type		Refillable cartridge + valves		Size		FKM seals		Check valves 1x IN 1x OUT		Filter fleece 2 micron		Adsorbent GIEBEL Xdry® & carbon		Connection for System BSP G1/2" male

Housing materials:	Aluminium		
GIEBEL Xdry® (kg):	0.17	Color-change capacity (ml):	60
Total weight (kg):	0.53		

NAME:		
Adsorber MA-RV 1L G1/2"m		
MA-RV_1L_F_11_V2_XC_G12m		
Article no.:	Status	Format
05.0040.43	freigabe	A4
	Maßstab	Blatt / von
	1:1.5	1 / 1



GIEBEL FilTec GmbH
www.giebel-adsorber.com
info@gf-dry.com