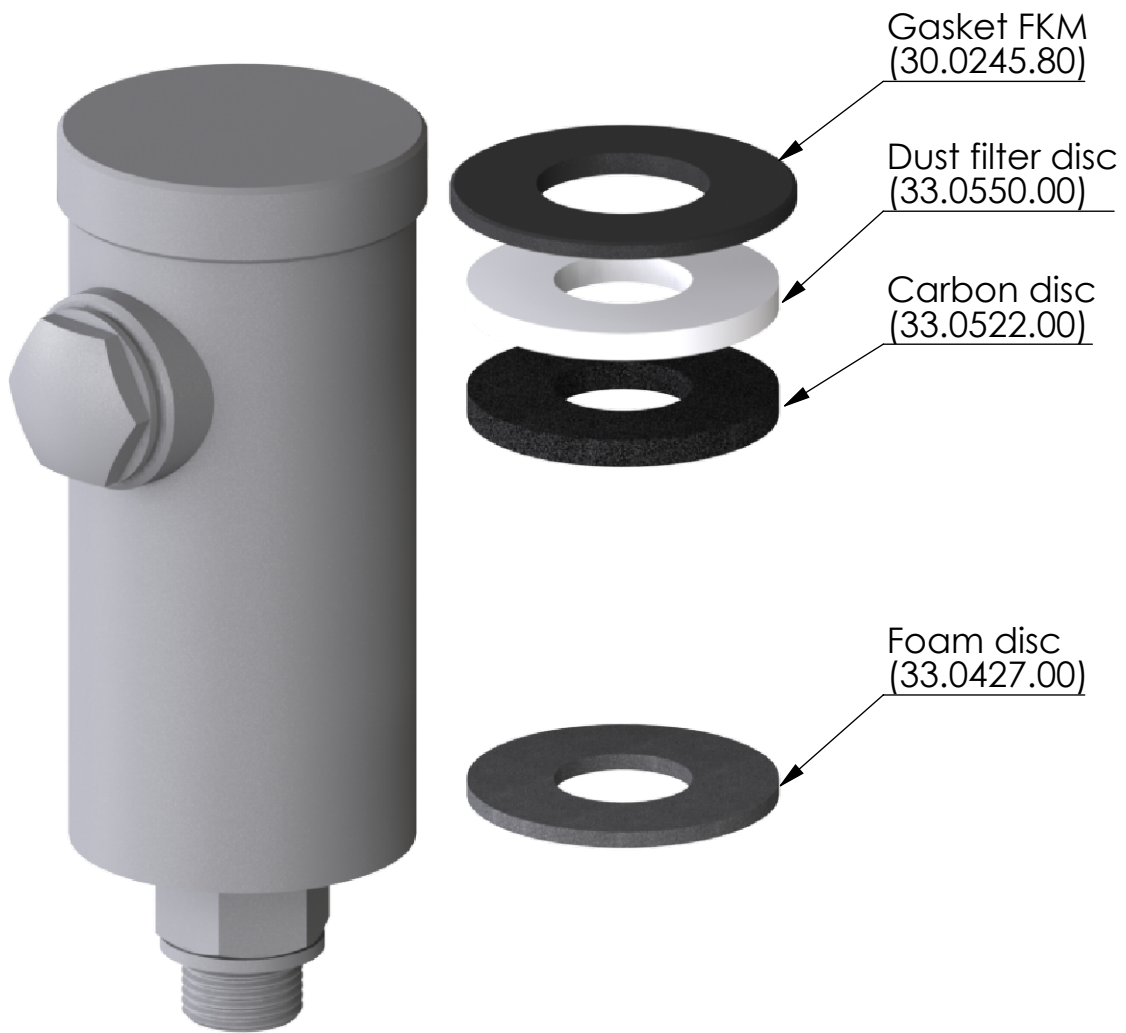


SPARE PARTS KIT ET MA-R 1



GIEBEL Xdry needed per Adsorber:
- Adsorber MA-R / RV 1L: 0,15 KG



GIEBEL Xdry sold separately
(please visit our shop at
giebel-adsorber.com/shop)



				Date	Name	Weight (kg): 0.1	
				Created 30.11.2021	daniel.zinic	Naming: Spare Parts Kit ET_MA+ME-R_1_F_V2	
				Released 26.09.2023	daniel.zinic		
				GIEBEL FilTec GmbH www.giebel-adsorber.com info@gf-dry.com		Article number: 05.0040.44	
						Status approved	Format A4
						Scale -	Sheet / of 1 / 1
Rev	Changes	Date	Name	Observe protection note ISO 16016			