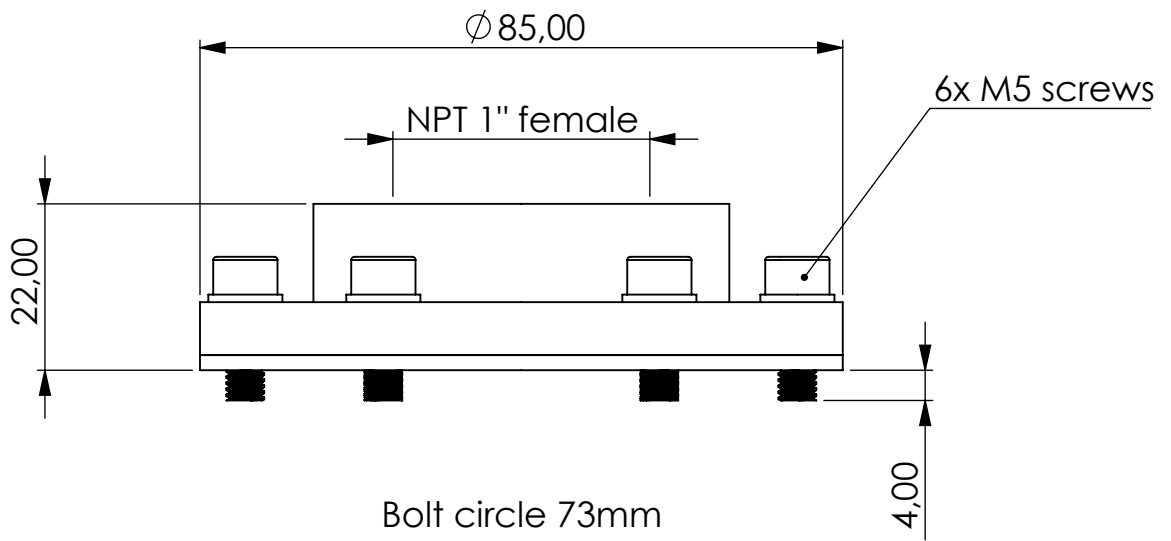
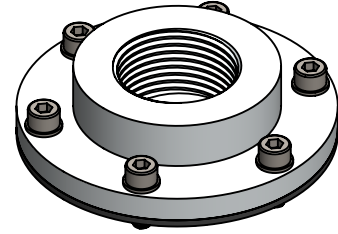


# Flange adapter



Product Code	<b>FLA</b>	-	<b>LK73</b>	-	<b>AL</b>	-	<b>F</b>	-	<b>N1f</b>
	Flange adapter		Bolt circle 73mm connection for system		Material Aluminium		FKM seals		Connection for Adsorber NPT 1" female

Total weight (kg): 0.178

NAME:

**Flange adapter**  
**FLA-LK73\_AL\_F\_N1f**

Article no.:

**08.2122.01**

Status approved

Format A4

Ratio 1:2

Sheet / of 1 / 1

rev.	Date	Name
	25.10.2023	Daniel Zinic



**GIEBEL Adsorber®**  
 ...setting standards in aeration drying!

GIEBEL FilTec GmbH  
 www.giebel-adsorber.com  
 info@gf-dry.com